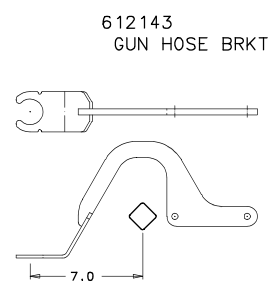
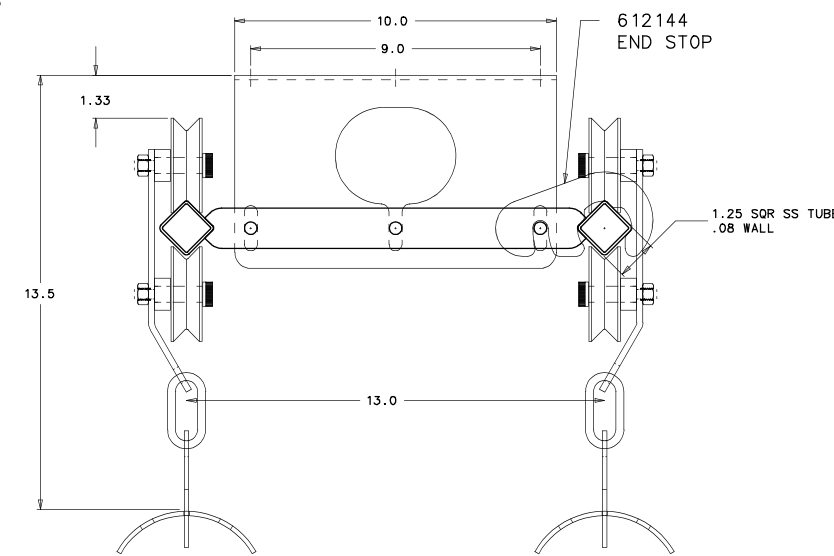
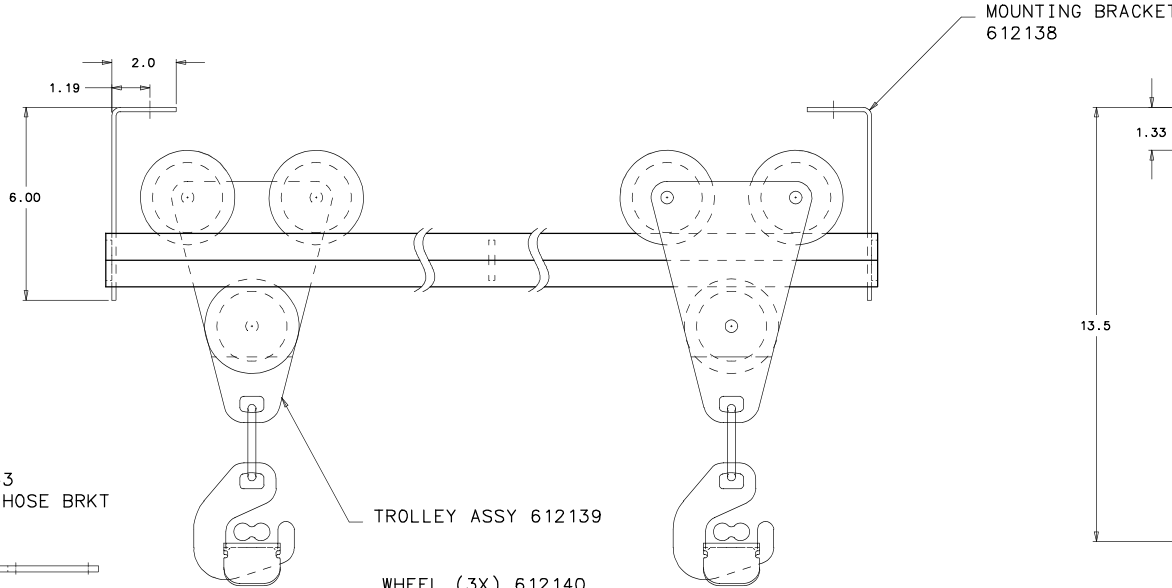


- P/N 612210 10' FESTOON SYSTEM
 INCLUDES: 1X 10' RAIL MODULE
 2X MTG BRKTS
 1X TROLLEY ASSY'S
 2X END STOPS
 1X GUN HOSE BRKT
- P/N 612220 20' FESTOON SYSTEM
 INCLUDES: 2X 10' RAIL MODULES
 3X MTG BRKTS
 2X TROLLEY ASSY'S
 2X END STOPS
 1X GUN HOSE BRKT
- P/N 612230 30' FESTOON SYSTEM
 INCLUDES: 3X 10' RAIL MODULES
 4X MTG BRKTS
 2X TROLLEY ASSY'S
 2X END STOPS
 1X GUN HOSE BRKT
- 1X FESTOON SYSTEM NEEDED FOR EACH GUN



- WHEEL (3X) 612140
 1/2 X 1.5 SHLD BOLT (3X) MMC 90298A716
 NYLON SPACER (3X) MMC 94639A222
 MAIN PLATE 612141
 SS CARABINER MMC 3777T11
 HOSE HANGER 612142

THIS DRAWING AND ALL INFORMATION PRESENTED IS THE PROPERTY OF WESTAR AND IS STRICTLY CONFIDENTIAL. IT SHALL NOT BE COPIED, REPRODUCED OR REVEALED WITHOUT WRITTEN CONSENT. THIS DRAWING MUST BE RETURNED UPON REQUEST.		QTY.	DESCRIPTION	WESTAR IDENTIFICATION NO.
Scale 1/4	Dr By TSE	TOLERANCE (EXCEPT AS NOTED) .00 .002 .00 .015 .000 .005	TITLE: FESTOON SYSTEM, GUN HOSE	
Date 6-27-2014	Chk By	FOR: UDDER GUN		
WESTAR		814 E. FIRST AVE. DORCHESTER, WI.	B SIZE	612220 OF A REV

REVISION: